

SERIES CPT

MAGPON NON - SEAL PUMP

Greatly Improved hydraulic head and capacity

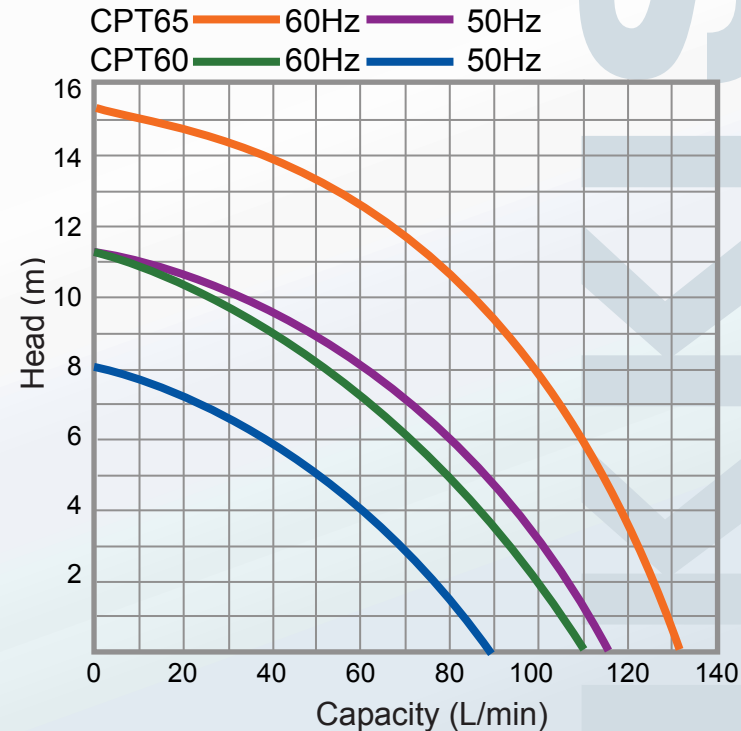


Model representation

CPT	65	PP	RV	22
①	②	③	④	⑤

- ① Series CPT
- ② Size 60 , 65
- ③ Material Outside, Back cover/ Impeller : PP
Axle : Al. Ceramics
- ④ O-ring RV : FPM
RE : EPDM
- ⑤ Voltage 22S : 1 Ø 220V
22 : 3 Ø 220V / 380V

Performance curve

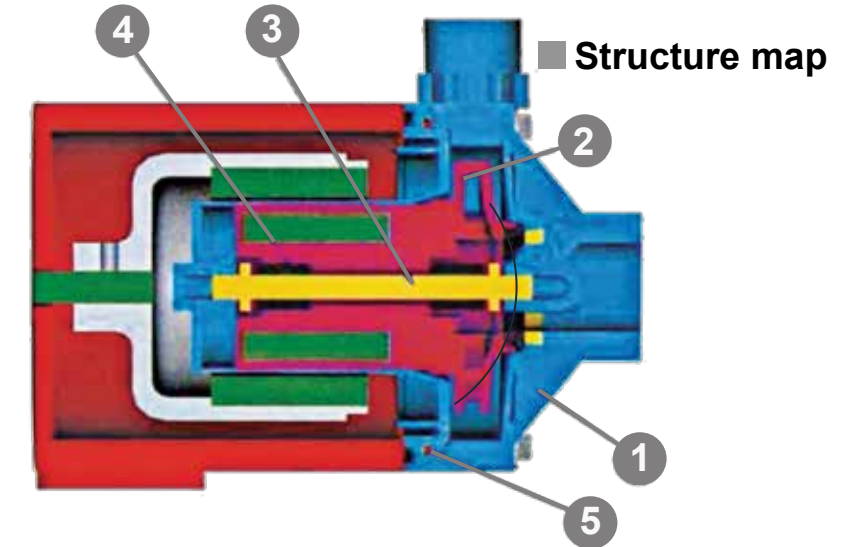


Specification (50/60Hz)

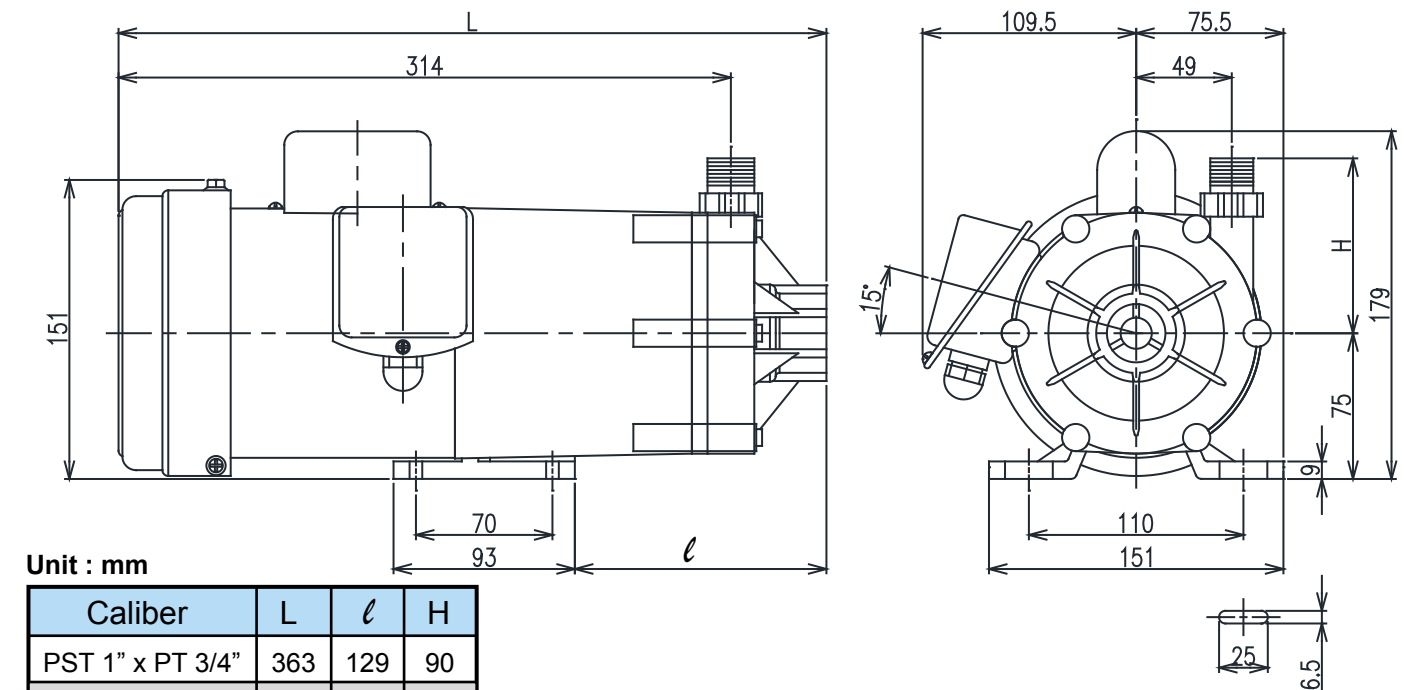
Model	Caliber Inlet / Outlet	Capacity L/min	Total head (M)	Motor(w)	
CPT60	Hose: Ø25/Ø25 PT1" Male or	90/ 110	8/ 11	200w	1φ 110/ 220V
CPT65	PST1" Female / PT3/4" Male	115/ 130	11/ 15	300w	3φ 220/ 380/ 440V

Material

NO	Name	Std material
①	Outside cover	PP (20% Glass)
②	Impeller	PP (20% Glass)
③	Axle	Al. Ceramics
④	Palin	Rulon
⑤	O-ring	FPM / EPDM



Outline Drawing



SHUN EIKO CO., LTD

NO.11 , KUNG ERH RD., LINKOU DIST,
 NEW TAIPEI CITY, TAIWAN
 TEL : 886-2-26015831 FAX : 886-2-86011017

NIKKISO EIKI CO.,LTD

16-2 , NOGUCHIHO 2 - CHOME, HIGASHI-
 MURAYAMA CITY, TOKYO 189-0022, JAPAN
 TEL : 81-42-390-6540 FAX : 81-42-390-6541



CÔNG TY TNHH VIỆT TƯỜNG AN

ADD: Ô Số 19,Lô DC74, Đường D11 , KDC Việt Sing ,
 Phường An Phú, Thị Xã Thuận An, Tỉnh Bình Dương
 TEL : +84 027 4656 0300 | 0964-1177-36 | 0964-100-958.
 Mail : vtacty999@gmail.com www.vtacty99.com.vn